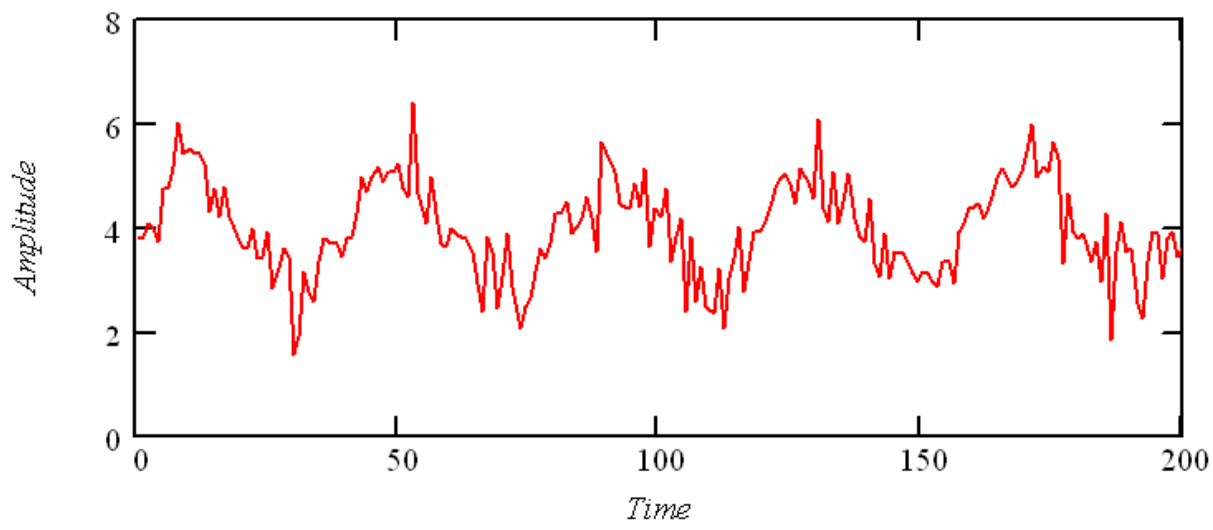


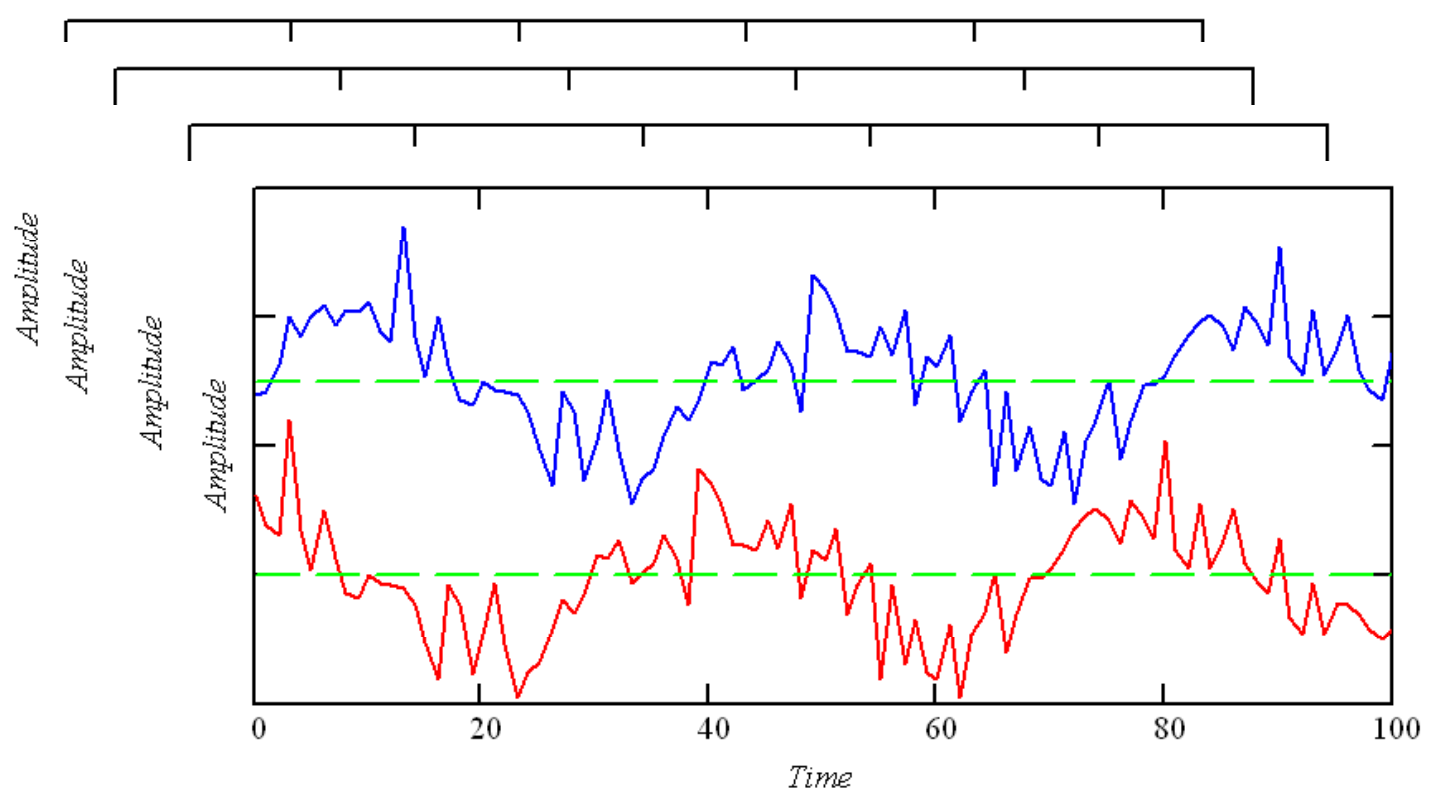
Data series



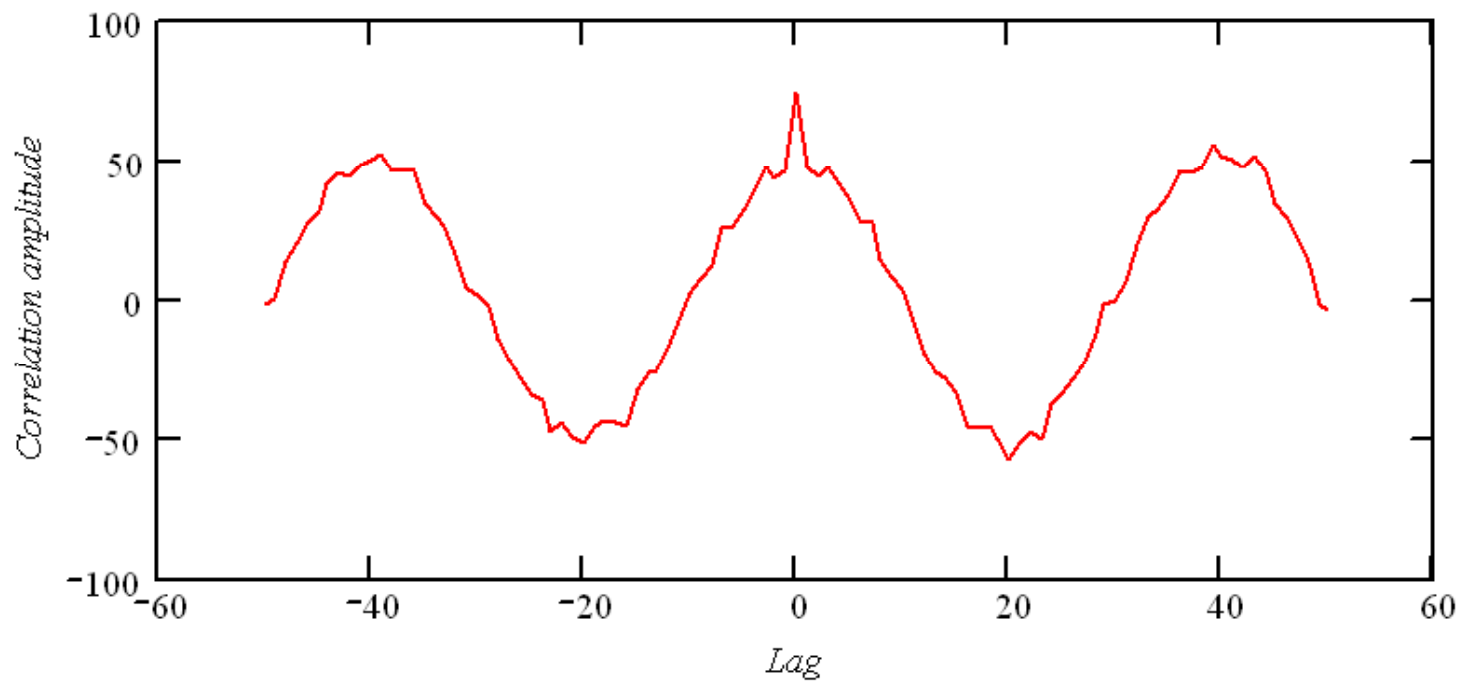
Amplitude information (statistically): $\mu = 3.99$ $\sigma = 0.89$

Autocorrelation

$$R_{xx}(\tau) = \lim_{T \rightarrow \infty} \frac{1}{2T} \int_{-T}^T V_x(t) \times V_x(t + \tau) dt$$

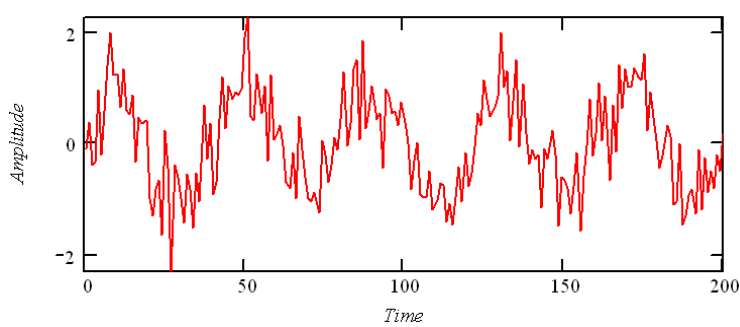


Autocorrelation function

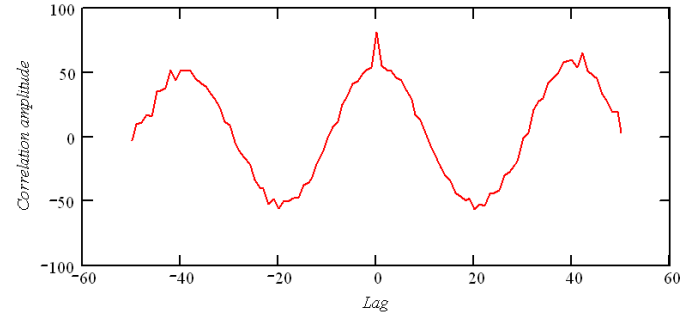
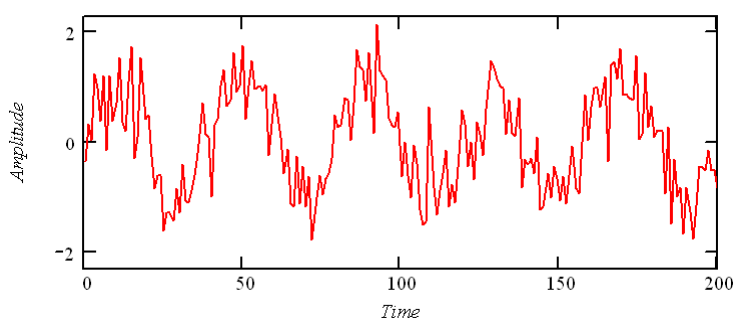
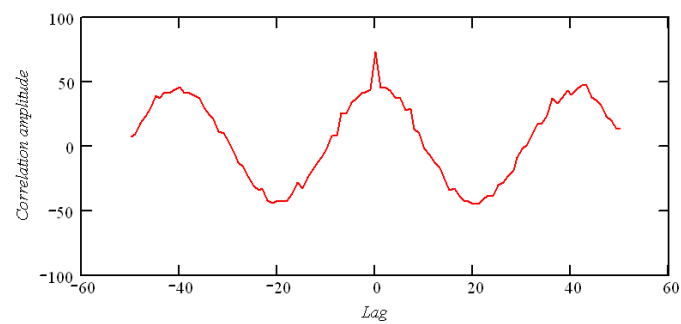


ACF's shape remains stable (within noise)

Time series

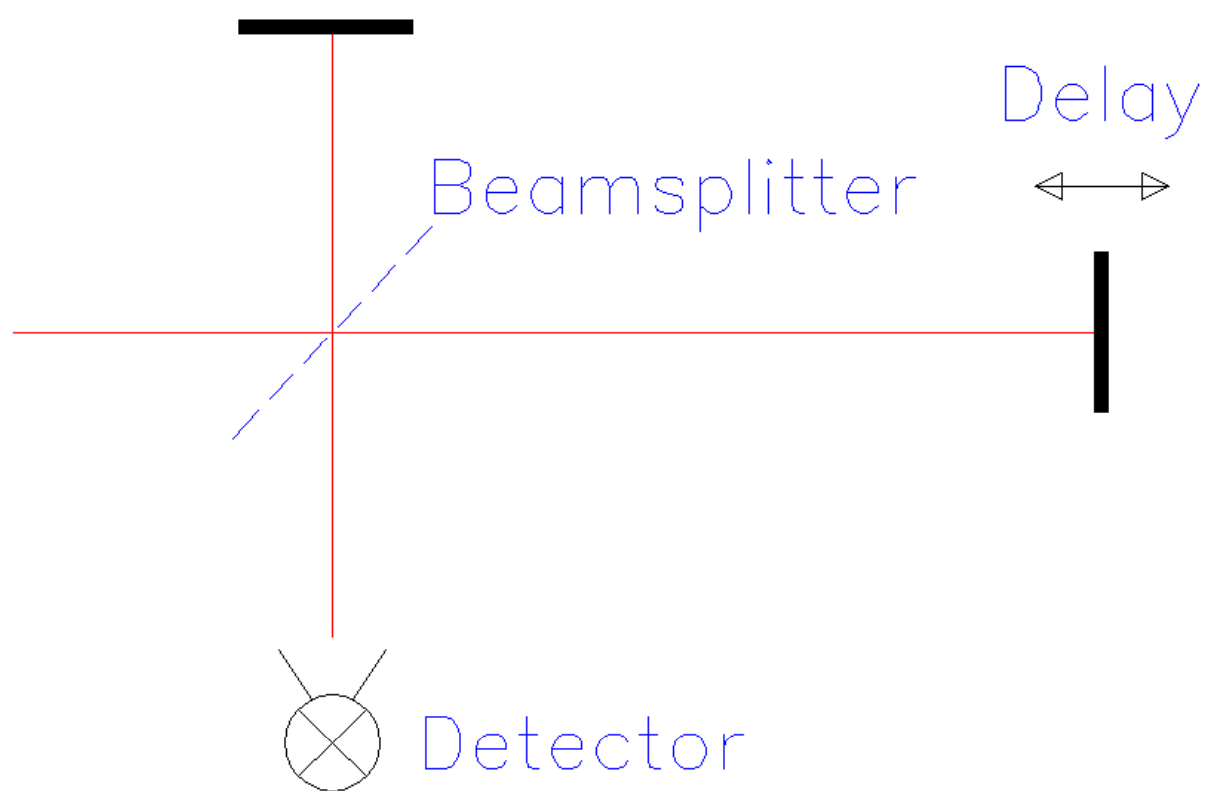


Autocorrelation function

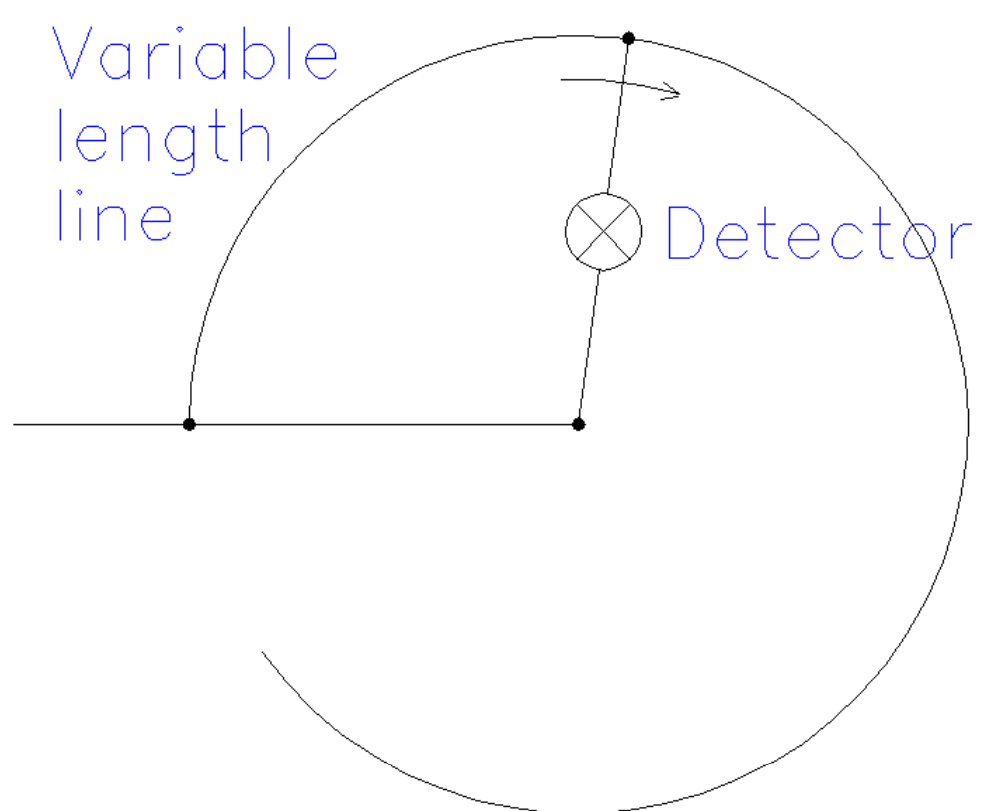


Lag is a relative time shift, eliminating information about absolute time. Time and phase are related, so phase information is also lost. Fourier transform thus gives *power* spectrum.

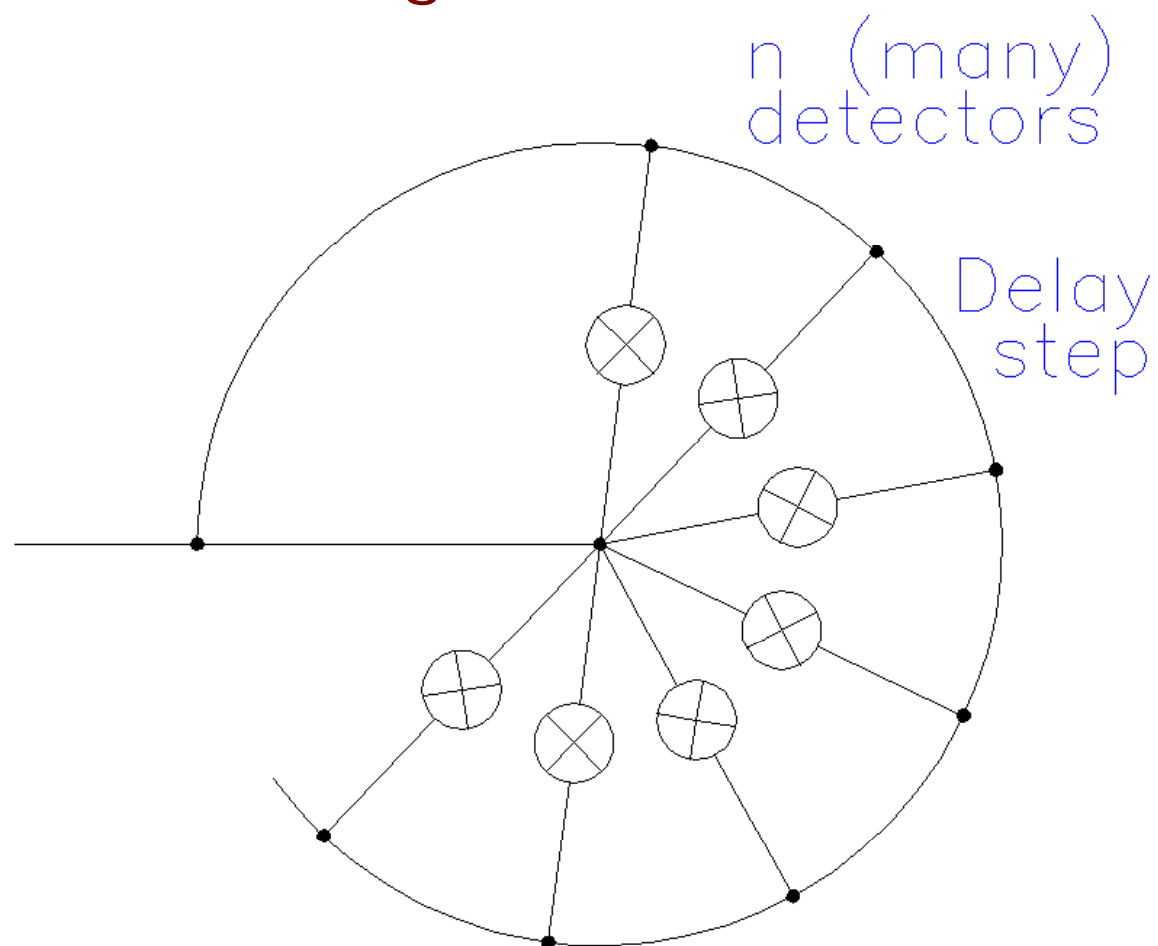
Michelson interferometer



Radio version of a Michelson interferometer



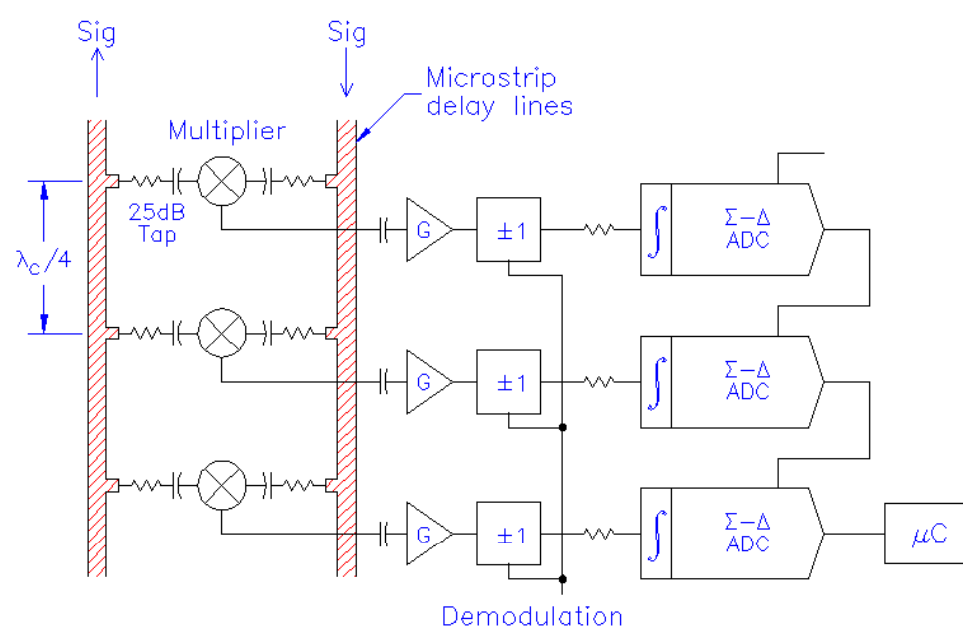
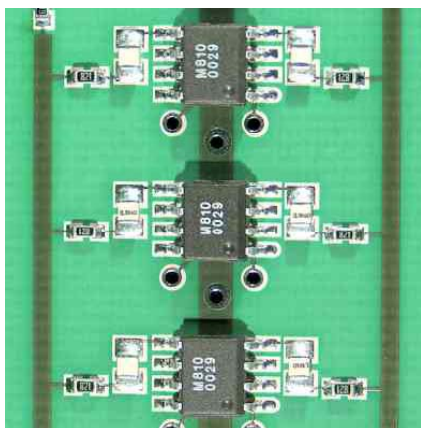
Lag correlator



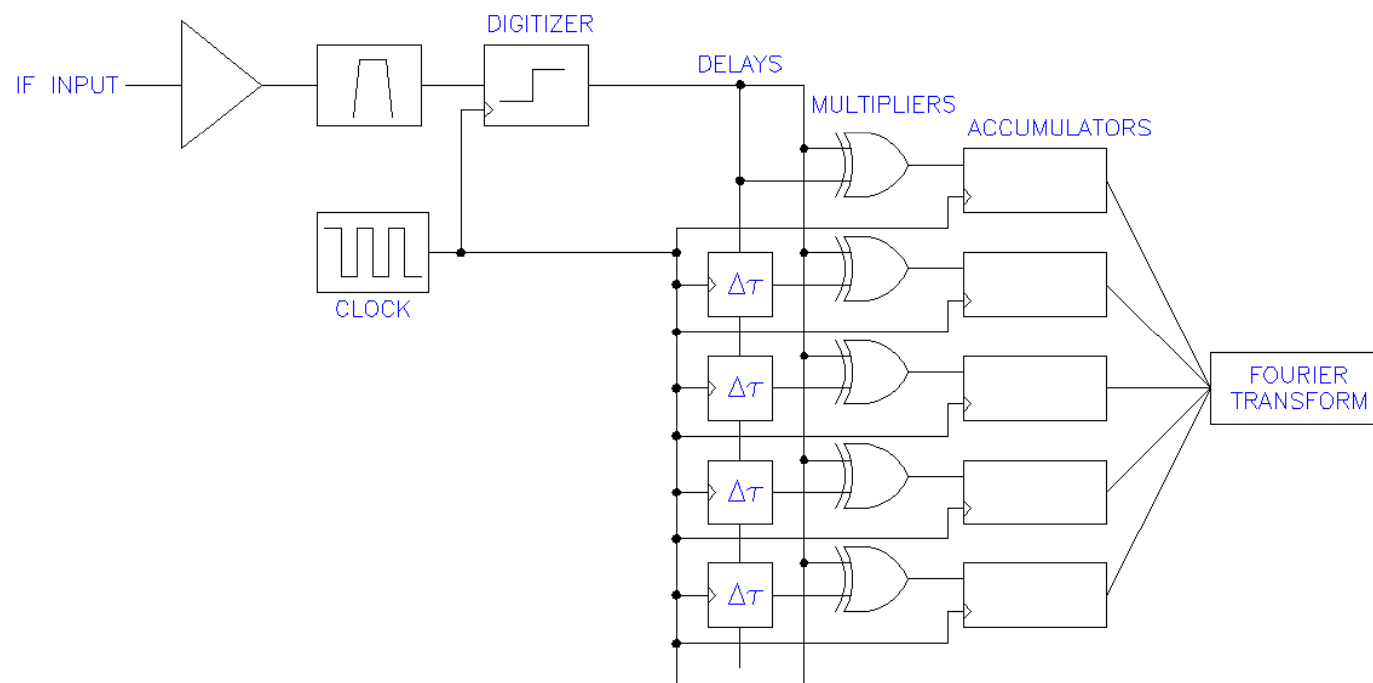
WASP2 analog correlator

(A radio Fourier Transform spectrometer)

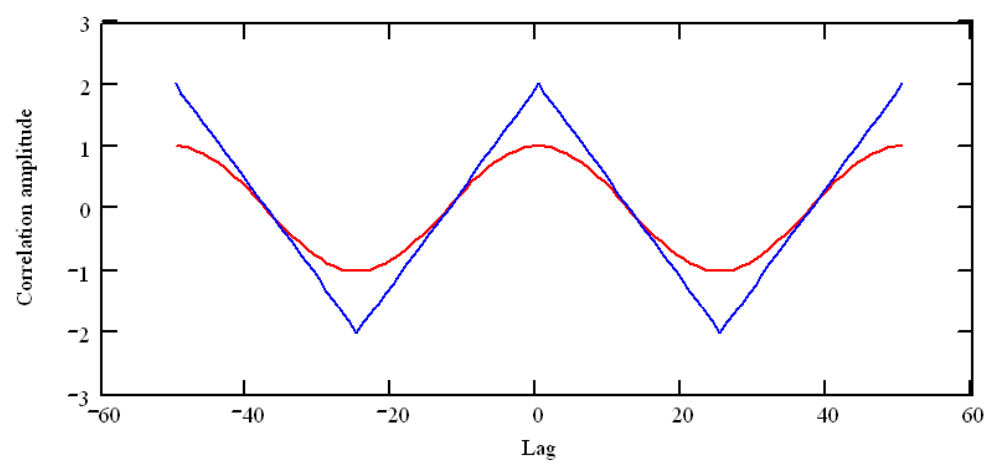
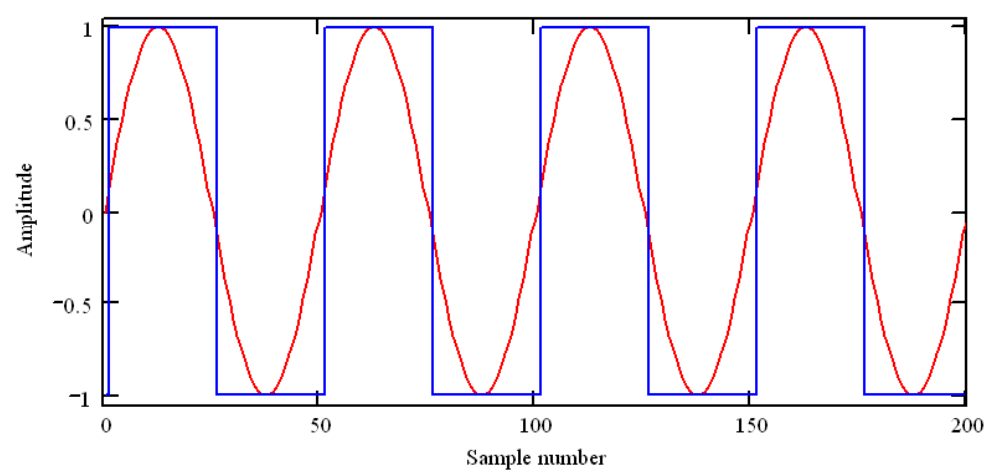
$$S_{xy}(f) \leftrightarrow R_{xy}(\tau) \quad R_{xy}(\tau) = \lim_{T \rightarrow \infty} \frac{1}{2T} \int_{-T}^T V_x(t) \times V_y(t + \tau) dt$$



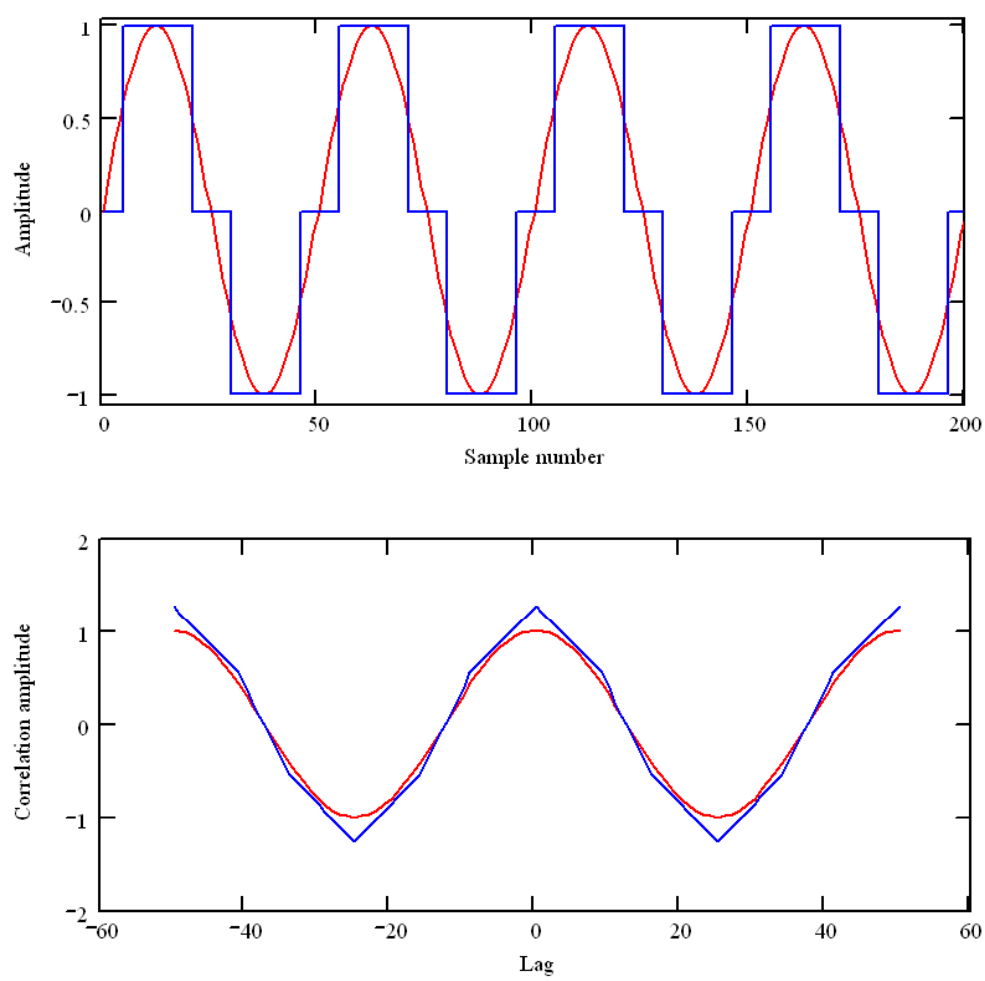
Digital correlator



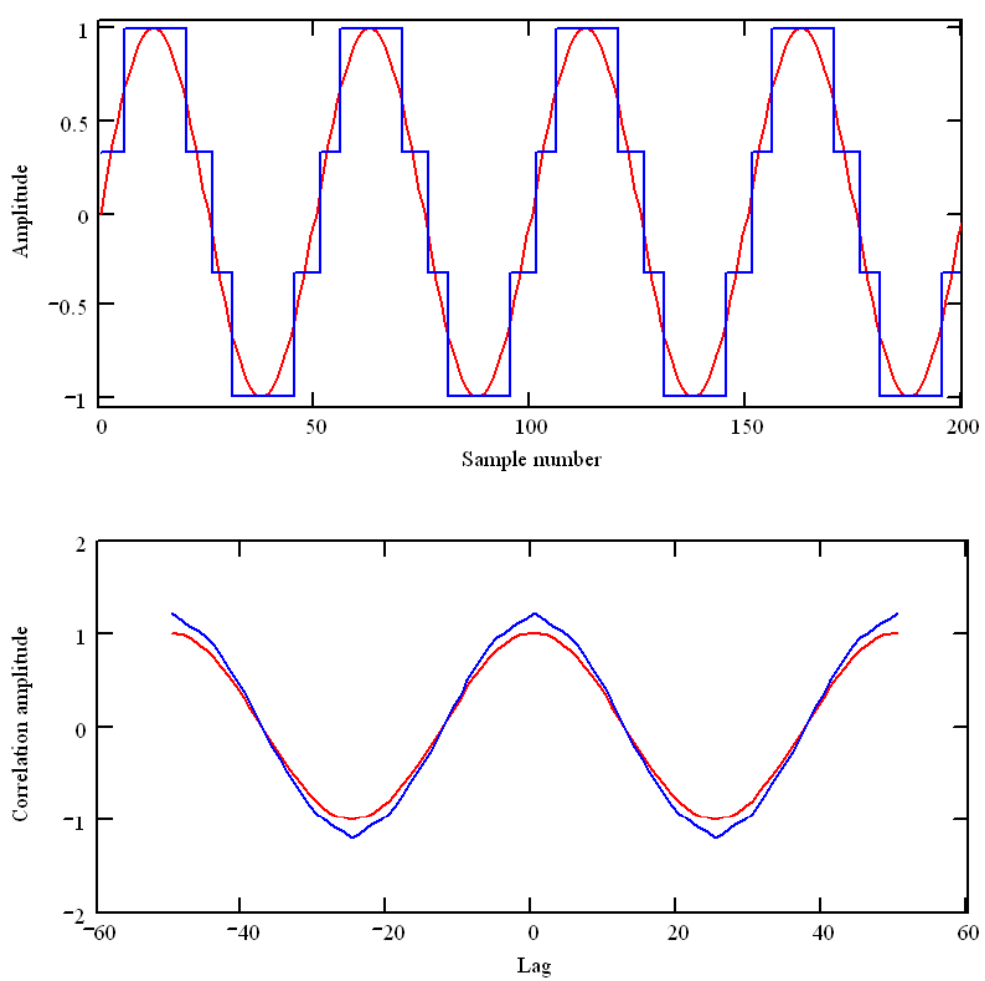
1-bit, 2 level digitization



2-bit, 3-level digitization

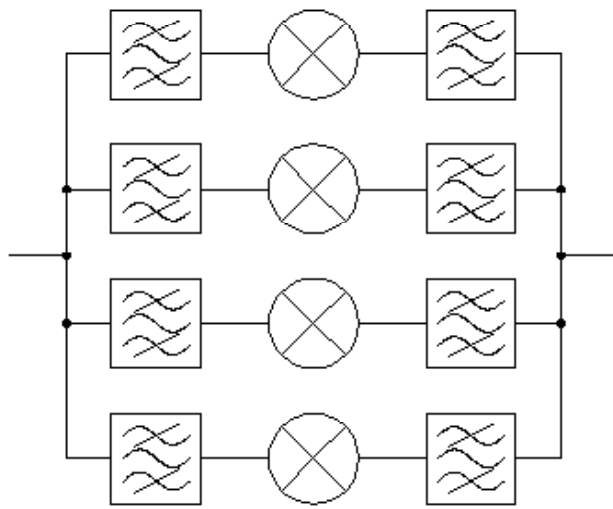


2-bit, 4-level digitization



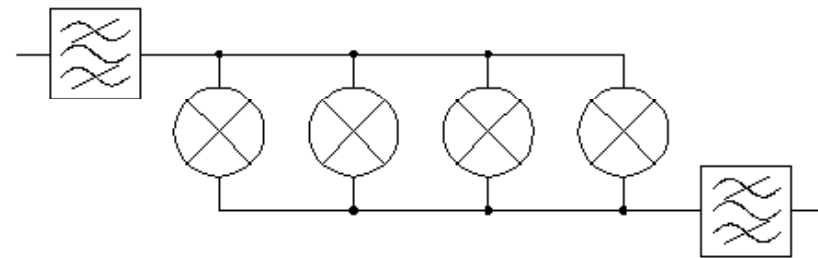
FX and XF correlators

Filter bank correlator
(FX correlator)



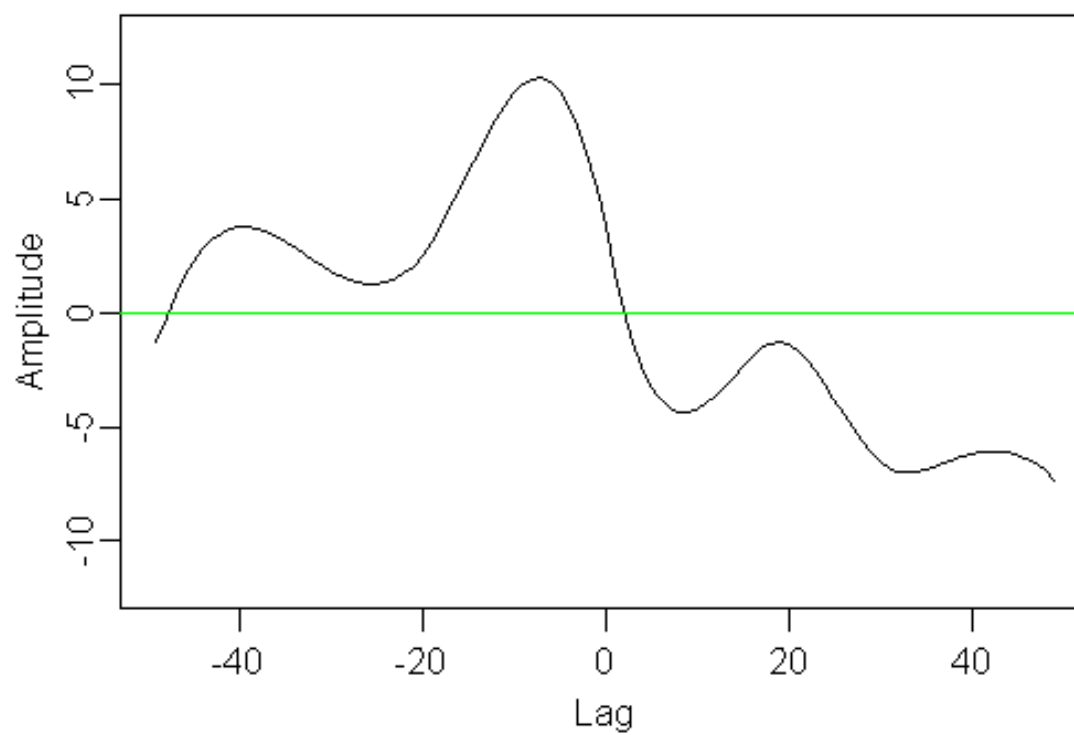
Single correlator per frequency bin

Lag correlator
(XF correlator)

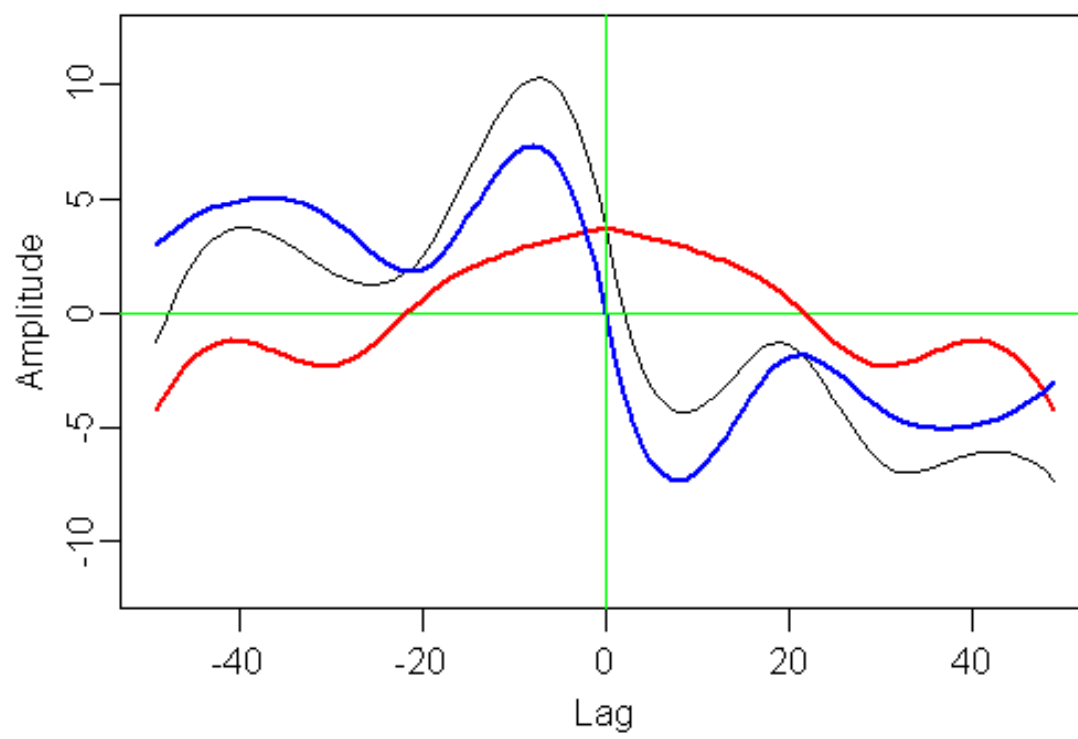


Multiple correlators per frequency bin

An arbitrary cross-correlation function



Even and odd parts



Even \Rightarrow cosine transform, odd \Rightarrow sine transform
A "complex" correlator