

Service Activity

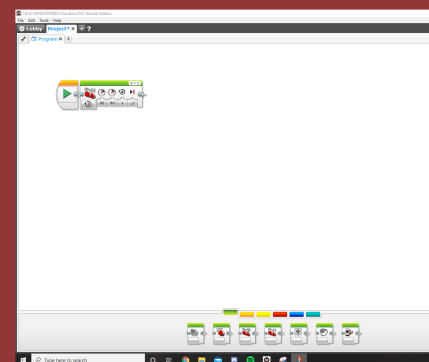
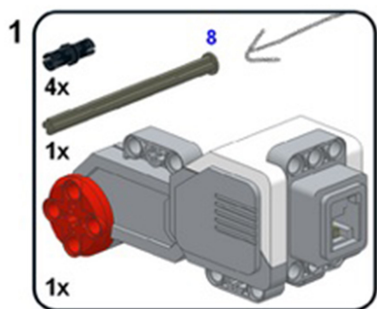
I took a scholars class called CPSS 240 where the students taught elementary school kids from the College Park Academy how to build and program Lego robots after school. We also had lectures where we learned about the interactions between science, society, and education.

Research Topic

Outside of the service-learning, at the end of the semester we had to research and write an essay on a specific topic of our choosing that was related to science, society, and education. I wrote about how the availability of technology affects schools in lower socioeconomic areas.

Challenges

Due to Covid, teaching the students was all through Zoom which made teaching the Lego building very hard. In addition, many students would be absent for various reasons, causing them to lag behind the group. Lastly, some students were missing pieces which made building even harder.



Impact

My partner, Joey, and I worked with three students throughout the semester and they all were able to finish building their robots and program them to at least move if not do more. I think we helped these kids learn something new and gave them something fun to do during difficult Covid times.

Future Work

As a mechanical engineer, this service-learning experience was "right up my alley". I enjoyed being able to influence young students in a way that exposes them to having fun with STEM. With that being said, my experience was overall great, and could see myself doing something similar like tutoring in the future.